

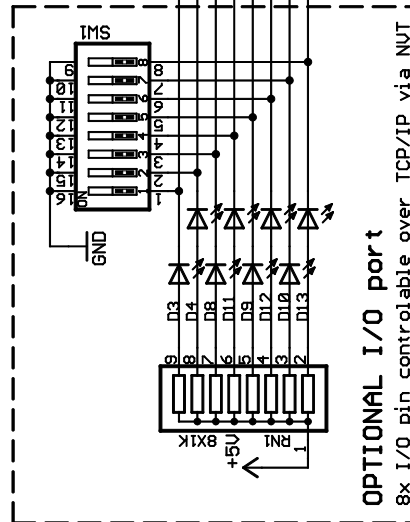
MANDATORY PINS:

Vcc(+5V), GND, RxD, TxD,
TPO+, TPO-, TPI-, TPI+

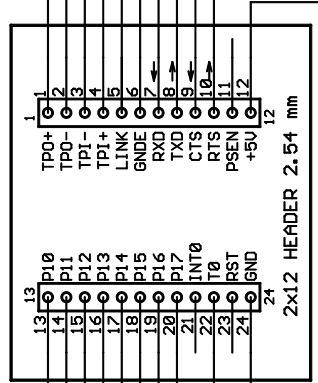
Ethernet interface:

select one type (A or B)
A - LF1S022 + 5x capacitor only
B - YCL20F001N + RJ45 connector

Keep SEPARATED device's GND from the Ethernet's GND!

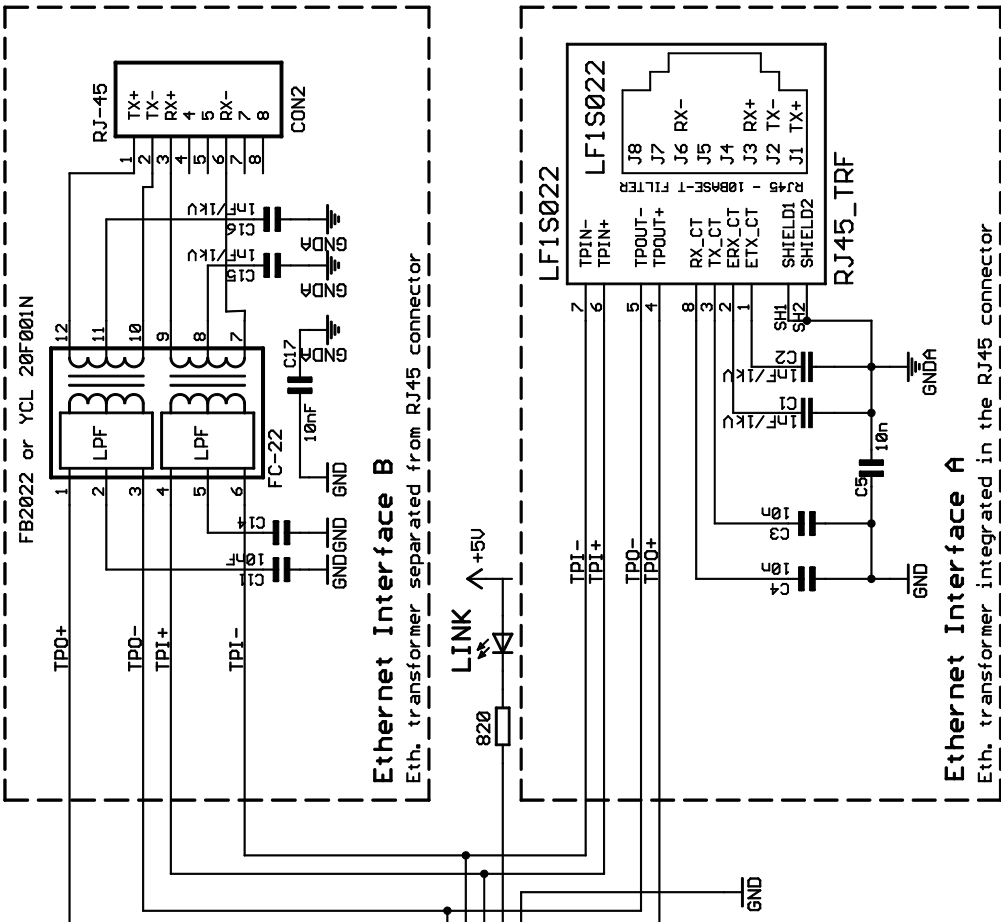
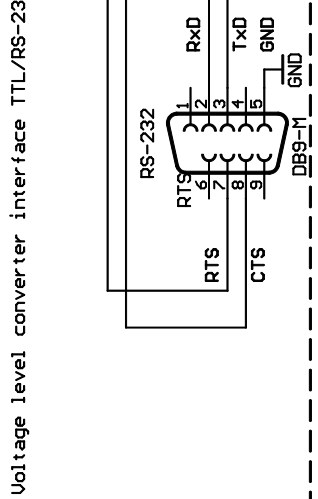


Charon I



44x36 [mm] embedded module

OPTIONAL RS-232/TTL



Charon I module application circuit (c) JRe & Hwgroup 2004	
TITLE: Charon1_app	REV: 2.0
Document Number: http://www.HW-group.com	
Date: 31.12.2003 18:48:41	Sheet: 1/1