

**MANDATORY PINS:**

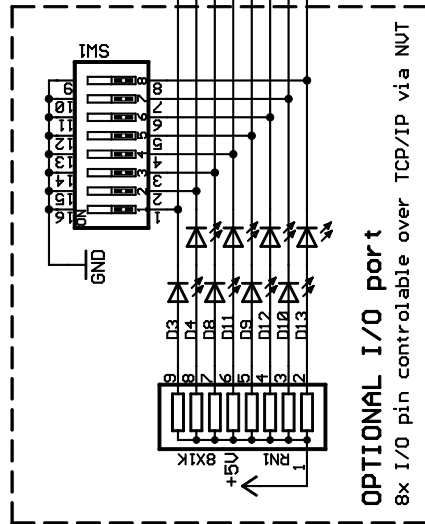
Vcc(+5V), GND, RxD, TxD,  
TPO+, TPO-, TPI-, TPI+

**Ethernet interface:**

select one type (A or B)  
A - LF1S022 + 5x capacitor only  
B - YCL20F001N + RJ45 connector

**Keep SEPARATED device's GND from the Ethernet's GND!**

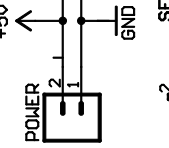
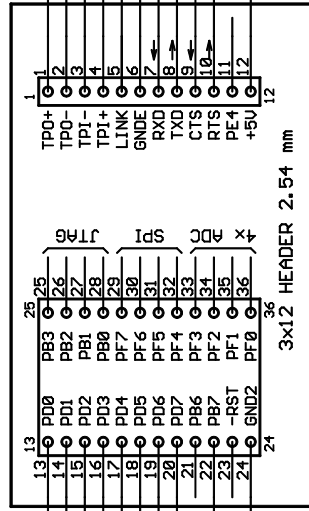
Check the "Charon II Development Board" scheme for recommended connection of various external peripherals to the Charon II module.



**OPTIONAL I/O port**

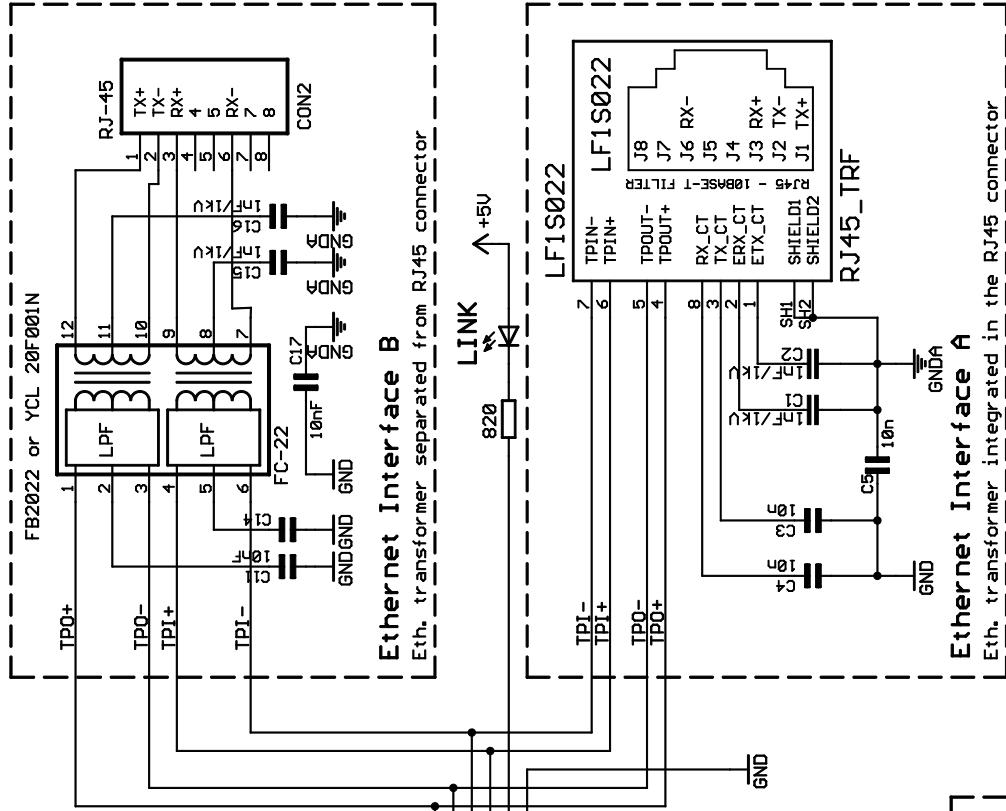
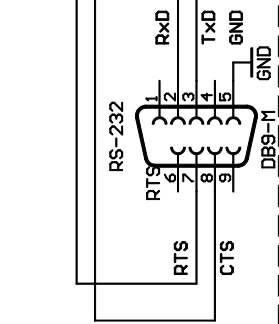
8x I/O pin controllable over TCP/IP via NUT

**Charon II**



**OPTIONAL RS-232/TTL**

Voltage level converter interface TTL/RS-232



Charon II module application circuit

(c) JRe & Hwgroup 2004

TITLE: Charon2\_app

Document Number:

<http://www.HW-group.com>

REV: 2.0

Date: 31.12.2003 19:11:20

Sheet: 1/1