

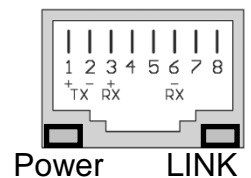
Damocles MINI – Specifications



Connectors and LEDs

Power – green (RJ-45 connector)..... External power connected

LINK – yellow (RJ-45 connector)..... Ethernet interface activity



Parameters

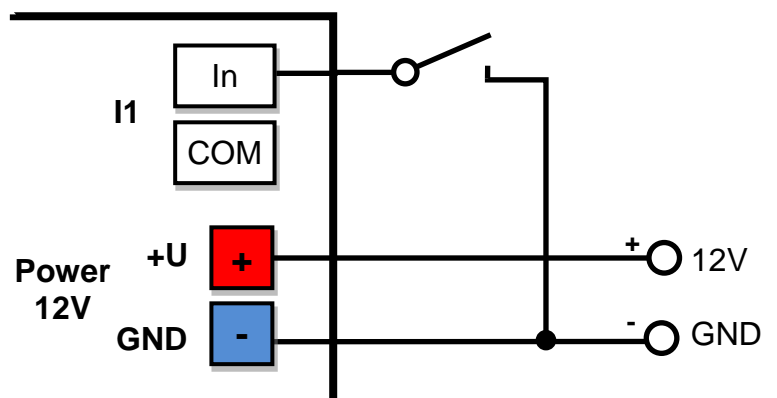
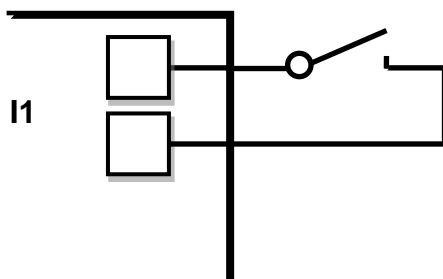
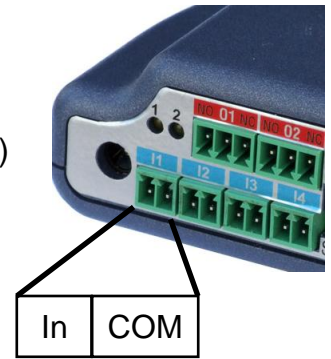
- **Ethernet:** RJ45 – 10BASE-T/10 Mbps
- **Communication:** WEB, SNMP, XML, SMTP
- **4 Digital Inputs:** Dry contact inputs (voltage-free)
 - **4x digital pulses counter:** Yes, 4x 32 bits
- **2 Relay Outputs:** Low voltage relay outputs NO/NC
- **Configuration DIP switches**
 - DIP1: Restores factory defaults when 3x toggled within 5 seconds after power up
 - DIP2: Prevents configuration changes - lock
- **Power supply:** +9-15V / 250 mA
- **Dimensions:** 35 x 102 x 77 [mm]
- **LED indicators:** Power, LINK, STATUS, ALARM

ETHERNET	
Interface	RJ45 (10BASE-T) – 10 Mbps or 10/100 Mbps network compatible
Supported protocols	IP: ARP, TCP/IP (HTTP, NTP, SMTP), UDP/IP (SNMP)
SNMP compatibility	Ver.1.00 compatible, partial ver.2.0 implementation
DRY CONTACT INPUTS	
Port	I1, I2, I3, I4
Type	Digital Input (supports NO/NC Dry contact)
Sensitivity	1 (On) = 0-500 Ω (Right pin on the terminal block can be connected to 12V GND)
Max. distance	Up to 50m
Counter	4x 32 bits, Counter is clear after reset or power failure
OUTPUTS	
Port / type	OUT1, OUT2 / Relay contacts (NC-COM-NO)
Max. load	Max 2A, up to 24W (2A/12V or 0.5A/48V)
State	Power up state (no state restart memory)
POWER input	
Port	POWER 9-15V DC
Type	Main device power input (typically 250 mA)
Connector	Jack (barrel, inner 2.5 mm outer 6.3 mm)
LED Status indicators	
POWER (RJ45)	Green - power OK
LINK & Activity (RJ45)	Yellow - Ethernet connectivity
DIP SWITCH	
DIP1: Setup	Load defaults: Set ON, power-up device, toggle 3 times during first 5 seconds to load defaults
DIP2: Security	ON = Security mode - remote configuration disabled OFF = Non-secure mode - remote configuration enabled
Physical parameters	
Temperature range	Operating: 0 to +65 °C (+14 to +150 °F) / Storage: -25 to +85 °C (-13 to +185 °F)
Dimensions / Weight	35 x 102 x 77 [mm] / 150 g
EMC	FCC Part 15, Class B, CE - EN 55022, EN 55024, EN 61000

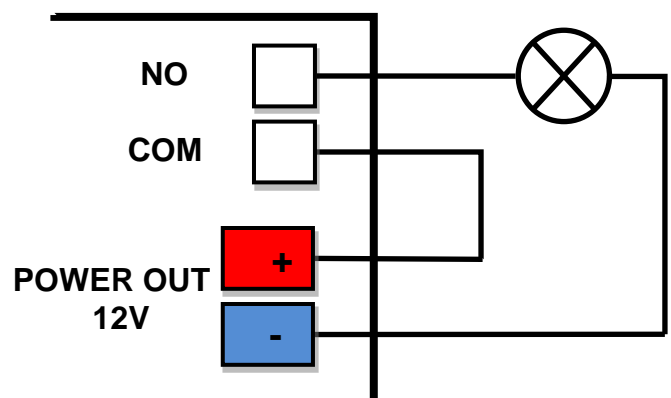
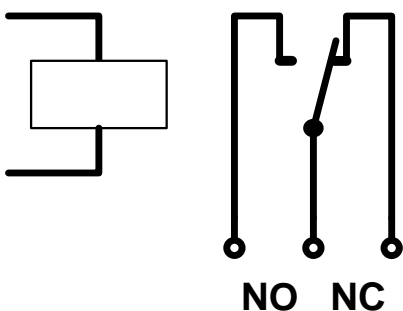
Dry contact Inputs

Digital input terminals may be connected to voltage-free contacts or the GND pin. The inputs are electrically connected to the 12V power supply. Never connect the inputs to the 48V supply voltage!

- Unconnected inputs read as “**0 (Off)**”
- Active inputs read as “**1 (On)**”
- **Supported sensors:** Any contact without external voltage (dry contact)
- **Polling period:** 800 ms
- **Range of sensor IDs:** Inputs use IDs from 1 to 4



Relay outputs



- NO and NC labels apply to Off (0) state, or device turned off
- When the output is On (1), a “**Normally Open**” (**NO**) relay contact is closed
- **Indication:** Contact state (closed / open) is indicated by a LED
- **Isolation:** The double-throw contact is electrically isolated from the rest of the device
- **ID range:** Outputs use ID addresses from 151 to 180

M2M interface

This product can be used with third-party SW applications.

For a description of the interfaces (XML format, detailed description of SNMP, mapping of Modbus/TCP variables), see the detailed “**Poseidon family**” manual.

- **XML** (over HTTP)
- **SNMP**, SNMP traps
- **Modbus/TCP**
- **SMTP** (E-mail)

TIP

- For a detailed description of the **M2M** interfaces and interfacing details, see the **detailed Poseidon family manual**.

SDK (Software Development Kit)

Programmers can take advantage of the **HWg SDK** (Software Development Kit) with an ActiveX interface and ready-made examples.

- VB - **Visual Basic (6.0)** - (3xx examples)
- Borland C++ (1xx examples)
- Microsoft Visual C++ (2xx examples)
- C# / .NET (5xx examples)
- Borland Delphi (4xx examples)
- JAVA
- PHP / ASP
- **other** examples that do not directly use SDK functions (all 9xx examples)

