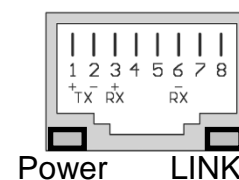


Poseidon2 3266 – Specifications



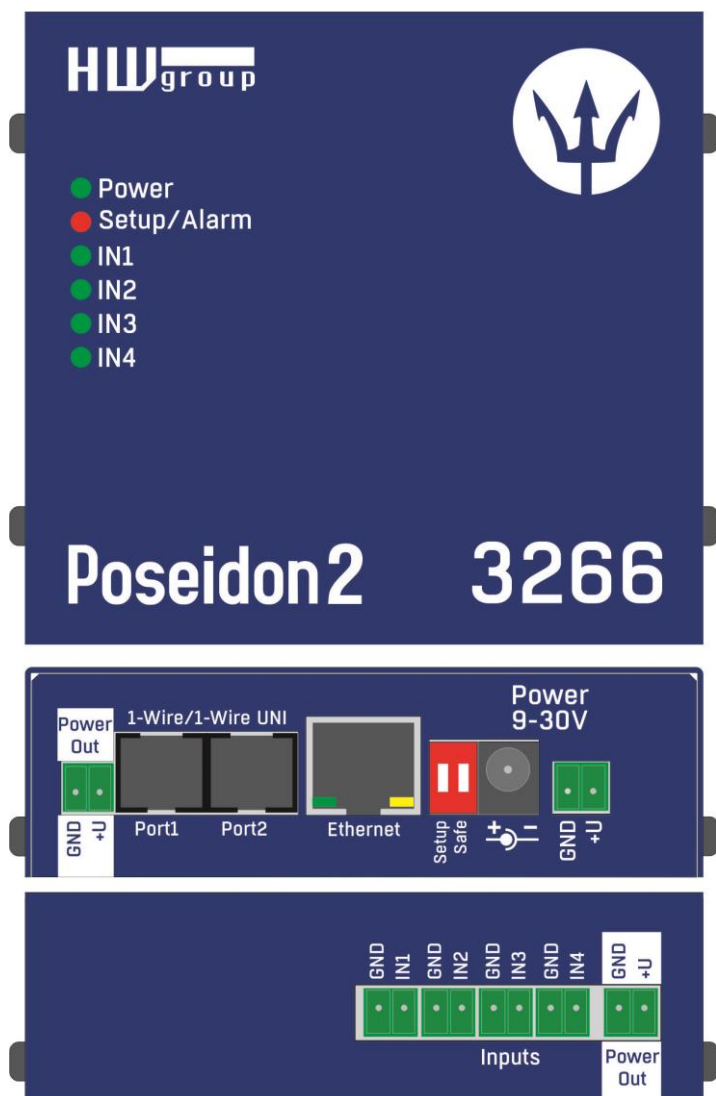
Connectors and LEDs

- Power** – green (RJ-45 connector).....Ethernet enable
- Power** – green External power connected
- LINK** – yellow (RJ-45 connector)..... Ethernet interface activity
- Inputs** – green Active input detected
- Setup&Alarm** – red Sensor or input in alarm state
flashing during the setup

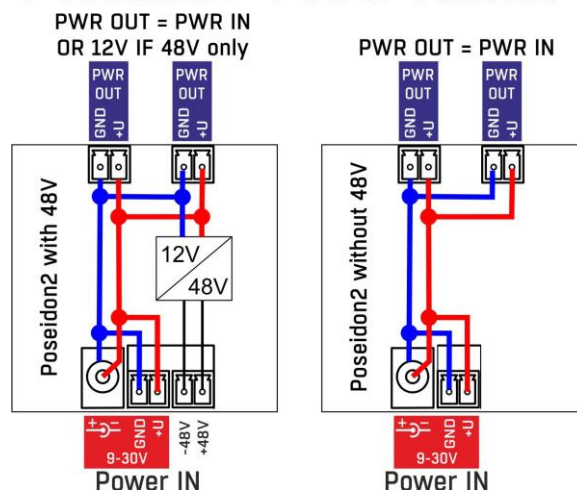


Parameters

- **Ethernet:** RJ45 – 100BASE-Tx/100 Mbps
- **Communication:** WEB, SNMP, XML, SMTP, netGSM, Modbus/TCP, HWg-PUSH
- **2 sensor inputs:** RJ11 ports for connecting HW group 1-Wire probes (including 1-Wire UNI)
 - **Up to 8 connected sensors in total** (using T-Box splitter or daisy-chained sensors)
- **4 digital inputs:** Dry contact inputs (voltage-free)
- **Configuration DIP switches**
 - DIP1: Restores factory defaults when 3x toggled within 5 seconds after power up
 - DIP2: Prevents configuration changes - lock
- **Device features**
 - **Alarm** when a preset threshold is exceeded
 - **Remote monitoring** of input states and temperature/humidity sensors
 - **Logging of values:** Internal flash memory, can store 250 000+ values
- **Power supply:** +9-30V / 250 mA
- **Dimensions:** 100 x 94 x 25 [mm] (H x W x D) / 260 g
- **LED indicators:** Power, LINK, STATUS, ALARM, INPUTS, OUTPUTS



Poseidon2 - Power scheme



ETHERNET	
Interface	RJ45 (100BASE-Tx) – 10/100 Mbps network compatible
Supported protocols	IP: ARP, TCP/IP (HTTP, NTP, SMTP, netGSM, HWg-PUSH), UDP/IP (SNMP)
SNMP compatibility	Ver.1.00 compatible, partial ver.2.0 implementation
SENSORS	
Type	HWg original accessories: 1-Wire only (temperature & humidity probes)
Connector	RJ11 (1-Wire Bus) 2x
Sensors	Up to 8 sensors in total (temperature + humidity combo sensors count as 2 sensors)
Sensor distance	Up to 60m
DRY CONTACT INPUTS	
Port	I1, I2, I3, I4
Type	Digital Input (supports NO/NC Dry contact)
Sensitivity	1 (On) = 0-500 Ω (Right pin on the terminal block can be connected to 12V GND)
Max. distance	Up to 50m
POWER input	
Port	POWER 9-30V DC
Type	Main device power input (typically 250 mA)
Connector	Jack (barrel, inner 2.5 mm outer 6.3 mm), Terminal Block
POWER output	
Voltage	Power Out = Power IN (9-30V) or 12V if use 48V only
Current	Max. 150mA
Connector	2x Terminal Block
LED Status indicators	
POWER (RJ45 + top)	Green - power OK (top), Ethernet enable (RJ45)
LINK & Activity (RJ45)	Yellow - Ethernet connectivity
Setup / Alarm	Red
Input	Green
DIP SWITCH	
DIP1: Setup	ON = RS-232 Setup mode over serial port (RS-232 mode only) Load defaults: Set ON, power-up device, toggle 3 times during first 5 seconds to load defaults
DIP2: Security	ON = Security mode - remote configuration disabled OFF = Non-secure mode - remote configuration enabled
Physical parameters	
Temperature range	Operating: -30 to +85 °C (+14 to +150 °F) / Storage: -35 to +85 °C (-13 to +185 °F)
Dimensions / Weight	100 x 94 x 25 [mm] (H x W x D) / 260 g
EMC	FCC Part 15, Class B, CE - EN 55022, EN 55024, EN 61000

