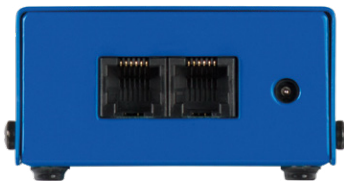


Relay Output 1W-UNI Industrial

4× relay output expansion module for Ares 12 via 1-Wire UNI



Expands Ares 12 and Ares 14 units functionality by remote control of four NO/NC dry contact relay outputs.



2× 1W-UNI + power supply 5V



4× Relay output

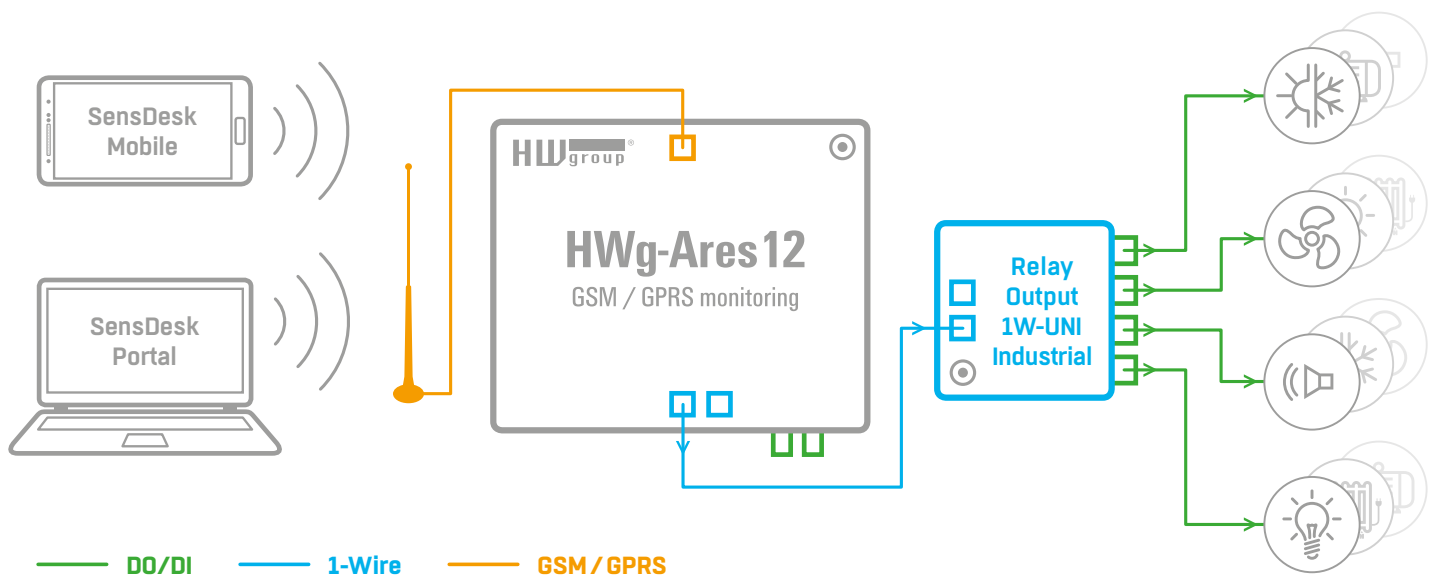
Can connect appliances with DI/DO interface:

- optical and acoustical alarms
- air condition systems
- heating systems
- power back-ups...

Allows remote control of connected devices:

- based on alarm event on Ares12 or Ares14
- manually via SMS sent to Ares12 or Ares14

Usage example



— DO/DI — 1-Wire — GSM/GPRS

Technical specifications

Bus	
Type	1-Wire UNI
Supports	Ares12, Ares14
Sensor positions	The Relay output 1W-UNI module always uses 4 sensor positions from the 1-Wire UNI bus limit, i.e. even when only 2 DO are in use, the unit blocks 4 positions.
Connector	2x RJ11 (bus input + output for another sensor)
Power supply	The module is powered via RJ11, in some cases external 5V power supply can be necessary.
Power limits	To one active port (RJ11 connector of the Ares device) maximum of 2 Relay output 1W-UNI can be connected. To strengthen the power supply an external 5V adapter or a powered "1-Wire hub Power" accessory can be used.
Max. distance	60 m (from an active port of Ares device)
Included accessory	3m 2x RJ11 cable

4x relay output	
Port	OUT1 – OUT4
Type	Switchable relay dry contact (NO/NC)
Load	Max 50 V / 1A AC/DC
Galvanic insulation	The outputs are galvanically insulated

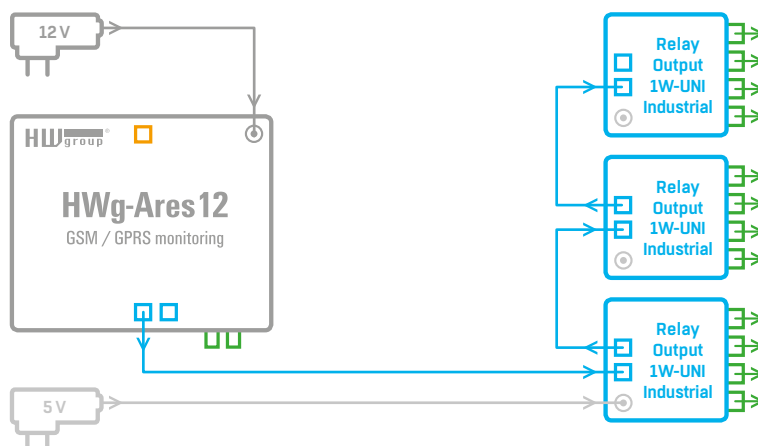
Physical parameters	
Operating conditions	-40 to +85°C / 5 to 90% relative humidity
Dimensions	65x80x30 mm
Weight	70 g

In order to reduce electrical consumption the Relay output 1W-UNI module contains bi-stable relays. Its functionality can be influenced by vibrations hence it is not suitable for use in such environment (moving vehicles etc.)

Strengthening the power supply

One active RJ11 port can supply maximum of two Relay output 1W-UNI modules.

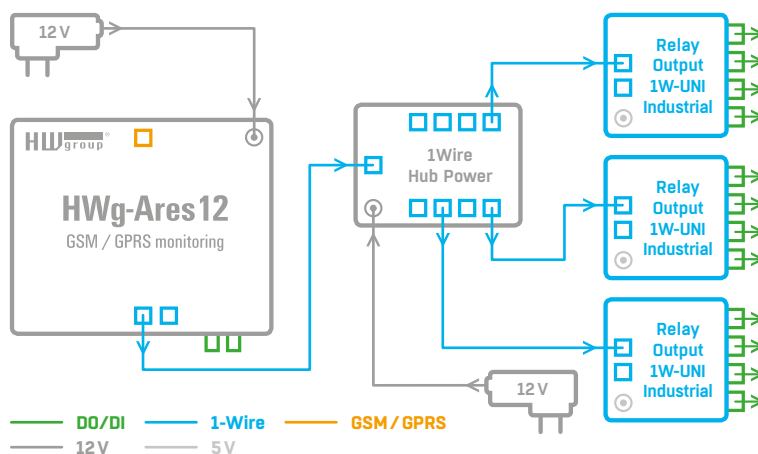
The third unit therefore uses its own power supply adapter.



Hub to strengthen the power supply

Active 1-Wire port from Ares12 or Ares14 unit is connected to several ports via "1-Wire hub Power" accessory.

All ports of the "1-Wire hub Power" are powered by a 12V power supply adapter.



Related products



Ares 12

Industrial measuring and monitoring for 14 sensors with GSM communication and back-up power.



1Wire Hub

Power-boostered hub for the 1-Wire bus. Compatible with 1-Wire and 1-Wire UNI bus.



Expander 4xDI 1W-UNI Industrial

Expansion module of four DI via 1W-UNI.



5V Wall plug adaptor INT

International plug power adapter 5V / 1A (EU, UK and USA).