

Expander 4xDI 1W-UNI

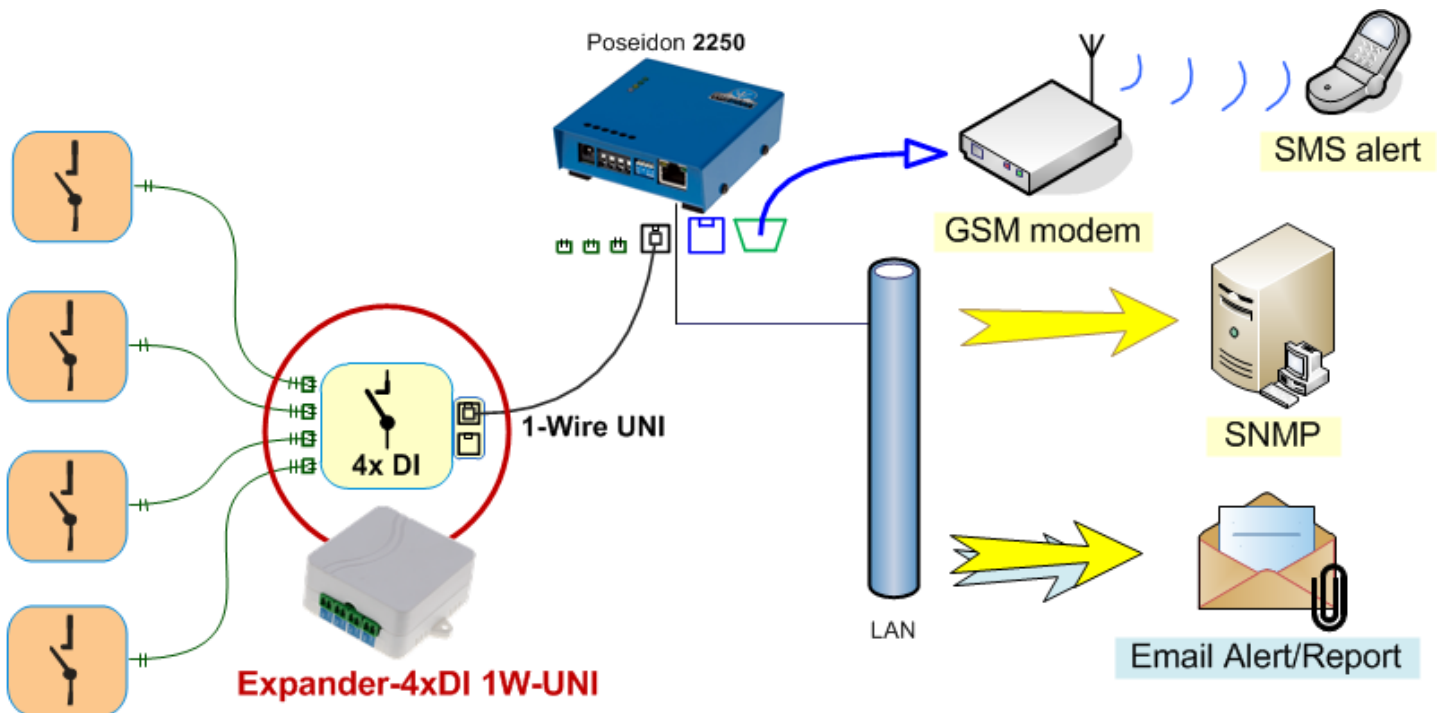
Expansion module w/ 4 dry contact inputs for Ares & Poseidon

The expander allows connecting up to four dry-contact Digital Inputs to the 1-Wire UNI bus. Connect a pushbutton, smoke detector relay, etc.

Compatible with Ares, Poseidon 2250, Poseidon 4002, and all Poseidon2 products.



Applications



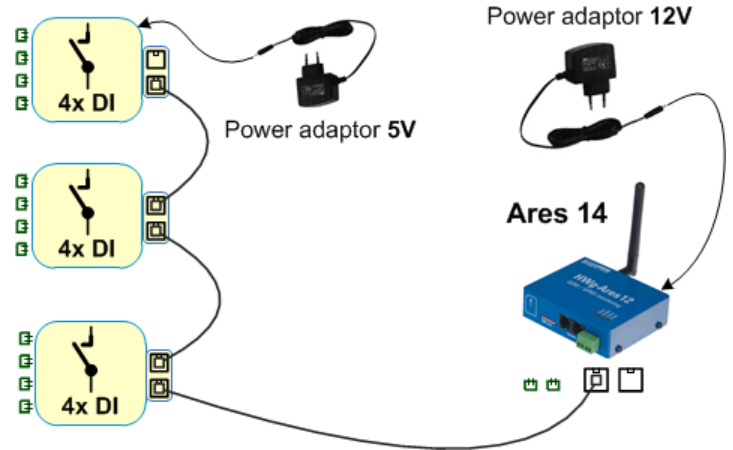
Specifications

Bus	
Type	1-Wire UNI
Supported by	Ares, Poseidon2, Poseidon 2250, 4002
Sensors occupation	Expander unit reserves 4 sensor positions from the 1-Wire bus limit. Even if you use only 2 external DI, Expander unit blocks 4 sensors positions.
Connector	2x RJ11 (bus input & bus output for next sensor)
Power	Powered by RJ11 bus, in some cases external 5V power adapter is required.
Power limitation	Max 2 Expander units can be connected to one Active port (Poseidon or Ares RJ11 plug) To boost-up the power, use external 5V power adaptor or "1-Wire hub Power"
Max distance	60 m total cable length from the Active port of the Poseidon / Ares unit
Accessories	Delivered with 3m cable 2x RJ11 included.
4x Digital Input	
Port	IN1 – IN4
Type	Digital Input (supports NO/NC Dry Contact)
Sensitivity	1 (On) = 0-500 Ω (COM pin is connected to GND of 1-Wire UNI bus)
Sampling period	DI state is refreshed once per second
Galvanic isolation	Digital Inputs are NOT electrically isolated from the 1-Wire UNI bus
Physical parameters	
Operating conditions	-40 to +85 °C (-40 to 185 °F) / 5 to 90 % relative humidity
Dimensions / Mass	65 x 80 x 30 [mm] / 70 g

Power boost

One active RJ11 port can power at most two Expander units.

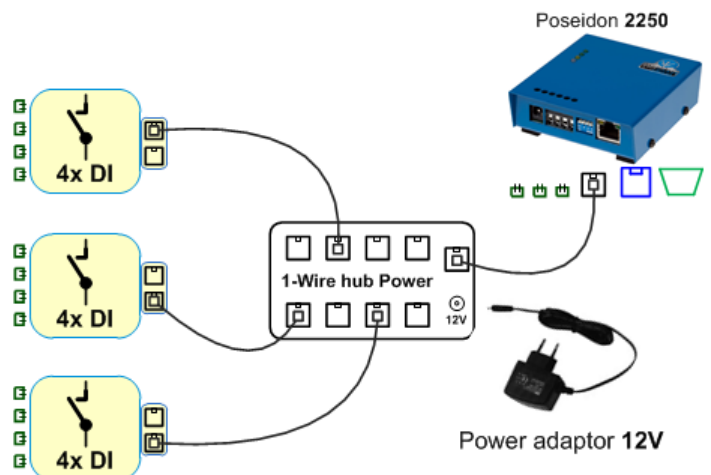
A third unit therefore uses its own power adaptor.



Powered hub

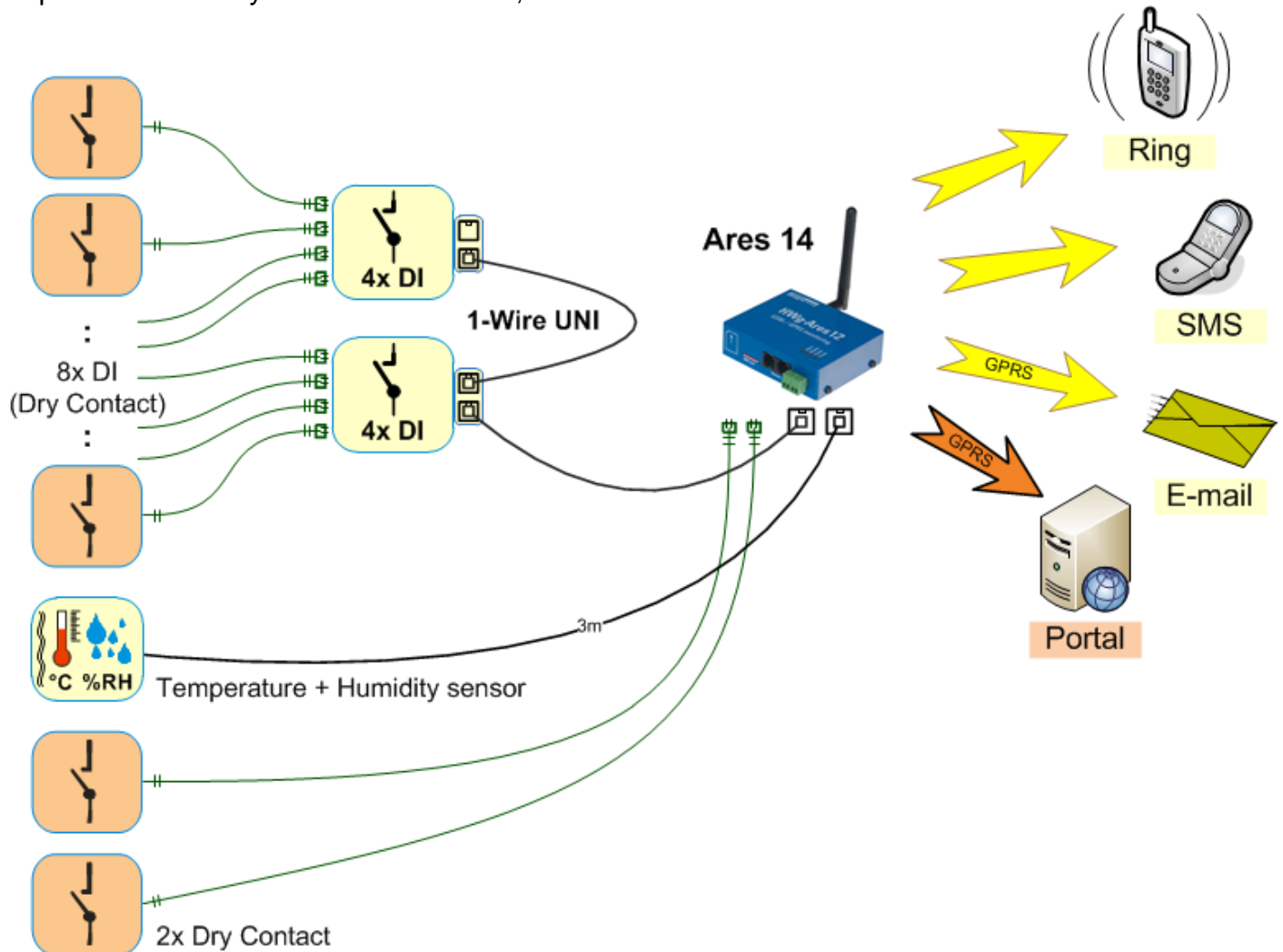
Active 1-Wire port of the Poseidon 2250 unit is connected to several ports using the "1-Wire hub Power".

All ports of "1-Wire hub Power" are powered by the 12VDC power adaptor.



Usage example

This example uses 8 sensors for two Expander units + 2 sensors for the combined temperature/humidity sensors. Therefore, 4 additional sensors can be still connected to the Ares 14.



- **Expander 4xDI 1W-UNI** can be combined with other sensors.
- **Expander 4xDI 1W-UNI** always occupies 4 sensor positions on the bus, regardless of the actual number of digital inputs used.