

# Flood detector LD12

## Fluid level sensor with a relay contact output

*Simple water level sensor. The low-power sensor can be connected to Poseidon2, Damocles2 and Ares units.*

The detector indicates a water flood in a room (such as a basement or a bathroom). This information can feed into a security system, e.g. in order to send a message. The LD-12 detector can be also connected to alarm system control units.

+12V power connects to the red wire and GND to the black wire. When the electrodes come into contact (are immersed in water), the detector connects the blue wire to GND and disconnects the yellow wire from GND. When the electrodes are no longer immersed, the blue wire is disconnected from GND and the yellow wire is connected back to GND.



Indoor use

Power: 12V DC  $\pm$  15%; 2 mA

Output rating: max. 200 mA

Operating temperature range: -10 to +40 °C

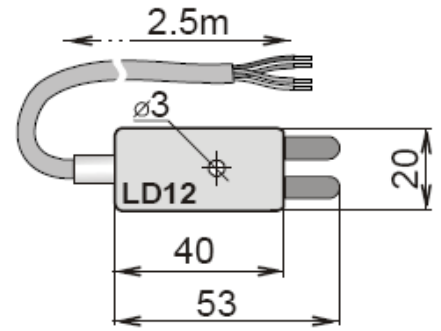
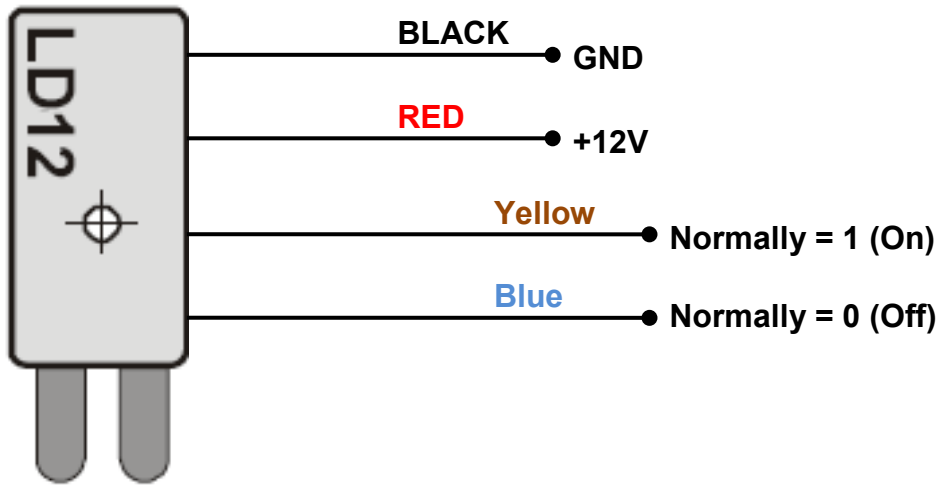
Reacts to immersion to water

Conforms to EN50130-4, EN 55022

## Applications

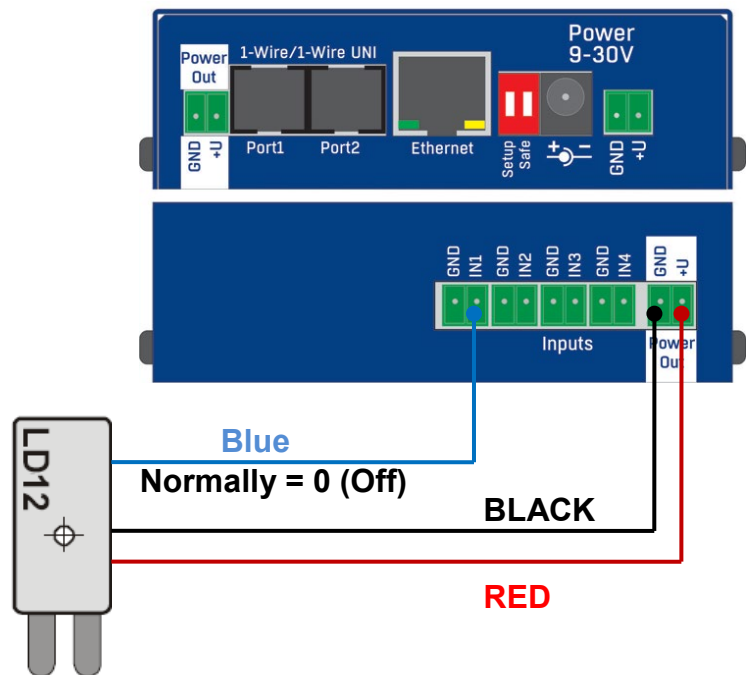
- Flood detection in industry
- Flood detection in warehouses, production and technology areas, residential premises
- When connected to a Poseidon unit – measurements in technology rooms and data transfer over the Ethernet

### Wiring examples



### Poseidon2 3266:

### Poseidon2 3268:



### Poseidon2 4002:

