

# Sensor 230V AC 1W-UNI

*Electrically isolated 100 to 240 VAC voltage sensor.*

Sensor 230V AC 1W-UNI is designed to measure 100 to 240V AC mains voltage. Connects to and powered from the 1-Wire UNI bus (RJ11).

Measured voltage is electrically isolated from the output. Fits on a DIN rail. Two RJ11 ports for daisy-chaining.



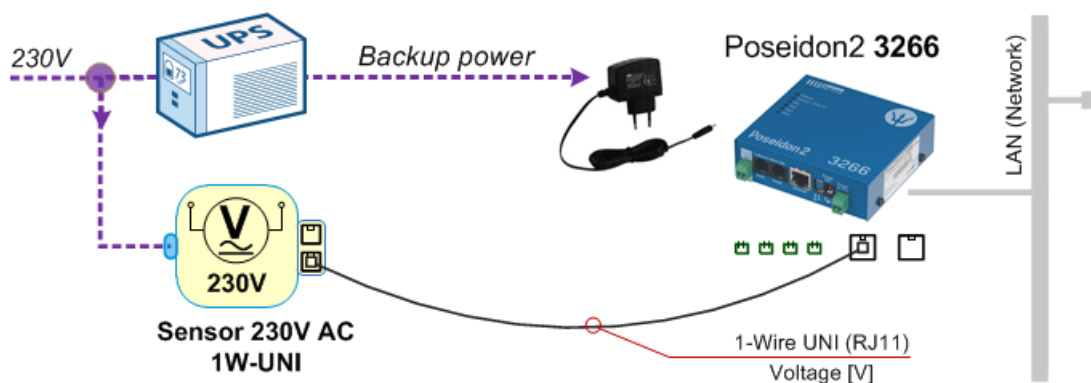
## Compatible with

- Monitoring over LAN: **Poseidon 2**
- Monitoring over GSM: **Ares**

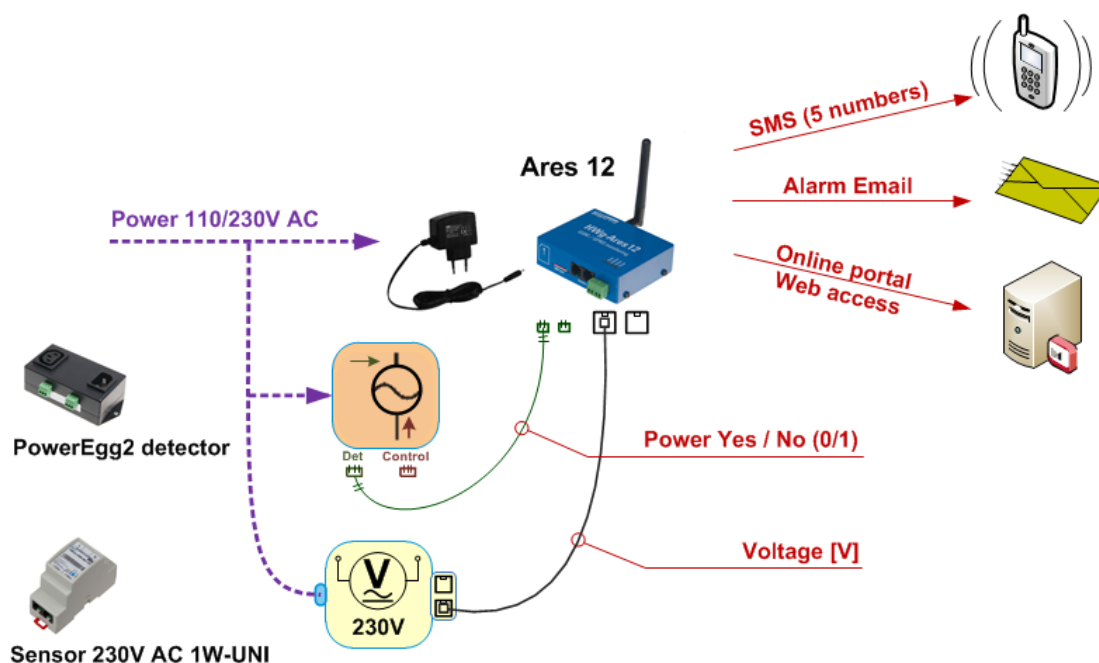
## Applications

- Monitoring of mains voltage fluctuations.
- Long-term monitoring of mains voltage.
- Detection of mains voltage presence.
- Monitoring of power supply at the input or the output of a UPS.

## Measuring voltage over a LAN



## Monitoring power supply over GSM



### Basic features

- 100–240V AC voltage sensor
- **Output:** 1-Wire UNI (2x RJ11)
- **Measurement accuracy:** 5%
- **Resolution:** 1V
- **Measuring period:** approximately 1s
- **Electrical isolation:** input voltage from 1-Wire UNI
- **Mechanical:** Fits on a DIN rail (2-unit width)
- **Input voltage range:** 100 to 250V AC (50Hz / 60 Hz)
  - **Consumption:** max. 100mA
- **Operating / storage temperature:**  $-20^{\circ}\text{C}$  to  $+80^{\circ}\text{C}$  ( $-4^{\circ}\text{F}$  to  $+175^{\circ}\text{F}$ )
- **Device dimensions:** 88 x 64 x 37 mm
- **Cover:** IP20

### Related products

<b>Sensor 4-20mA 1W-UNI</b>	4-20mA current loop sensor, powers an external “4-20mA sink” sensor.
<b>Sensor 60V 1W-UNI v2</b>	0-60VDC ( $-48\text{V}$ ) voltage sensor, 1Wire-UNI bus.
<b>Sensor 230V AC 1W-UNI</b>	100–230VAC voltage sensor, 1Wire-UNI bus.
<b>Converter 2xPt100 1W-UNI</b>	Converter to connect one or two external Pt-100/1000 probes to the 1-Wire UNI bus.
<b>30A Current probe 1W-UNI</b>	0-30AAC sensor, 1Wire UNI bus, with a clamp-on transformer.
<b>1W-UNI USB calibrator</b>	USB–RJ11 cable + software to calibrate and configure 1-Wire UNI sensors.
<b>1-Wire hub Power</b>	Hub for 1 to 8 sensors (8x RJ11), power-boostered from an external adapter.

## Package contents

A complete Sensor 230V AC 1W-UNI package contains:

- 1x Sensor 230V AC 1W-UNI
- 1x Printed manual

## Safety information

The device complies with regulations and industrial standards in force in the Czech Republic and the European Union. The device has been tested and is supplied in working order. To keep the device in this condition, it is necessary to adhere to the following safety and maintenance instructions.

**The device must not be used in particular under any of the following conditions:**

- The device is noticeably damaged
- The device does not function properly
- Unfastened parts can move inside the device
- The device has been exposed to moisture or rain
- The device has been serviced by unauthorized personnel

If you have any problems with installing or operating the device, please contact technical support:

HW group s.r.o.

<http://www.hw-group.com>

Email: [support@HWg.cz](mailto:support@HWg.cz)

U Pily 3

143 00 Praha 4

Czech Republic

Tel. +420 222 511 918

When contacting technical support, please have at hand the exact type of your device (at the type plate) and, if possible, the firmware version (see later in this manual).